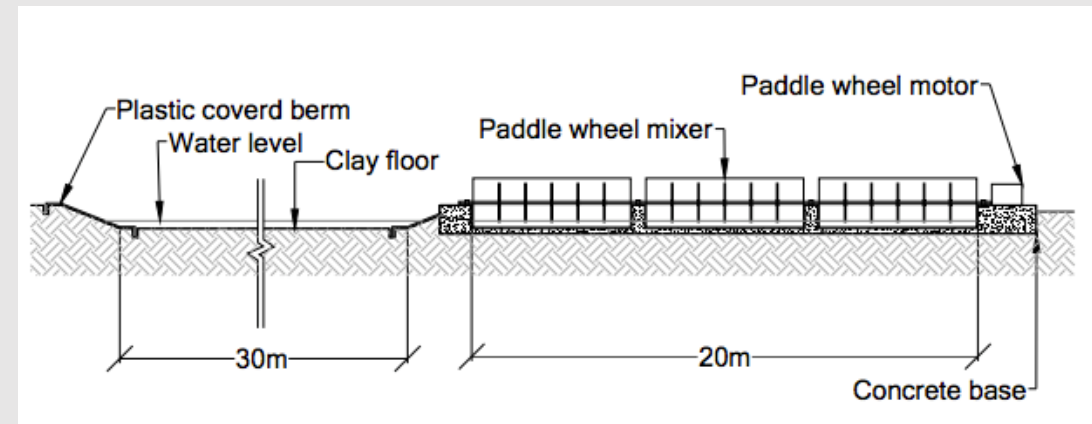
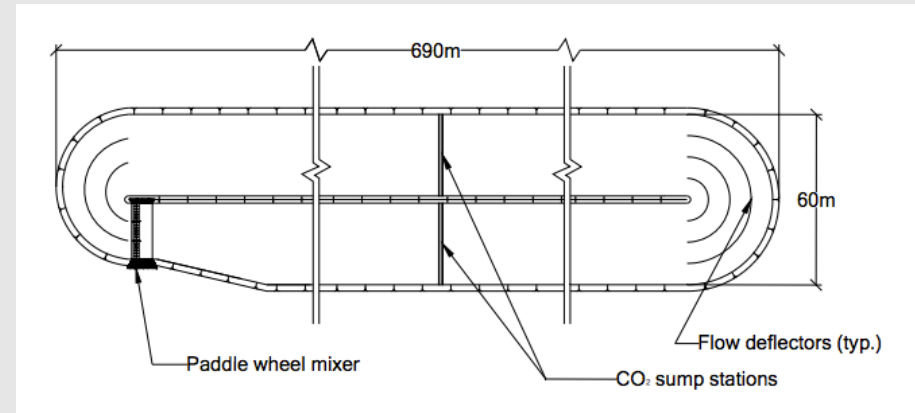


Raceway Pond for Algae Cultivation

Justin Huynh, Laura Darken, Erika Moreno, Fredy Garcia

Primary Elements

- Paddlewheel mixer - stimulate algae and maintain even levels of CO₂ and sunlight throughout culture
- CO₂ sump stations - diffuse CO₂, a necessary nutrient for proper growth, into culture
- Flow deflectors – Minimize loss of energy at turns and decrease likelihood of turbulent eddies that trap cells



Citations

¹ Lundquist, T.J., I.C. Woertz, N.W.T. Quinn, and J.R. Benemann. "A Realistic Technology and Engineering Assessment of Algae Biofuel Production." (2010): n. pag. Rpt. in University of California Berkeley: Energy Biosciences Institute, 2010. 70. Web. 16 Mar. 2016.